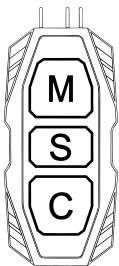
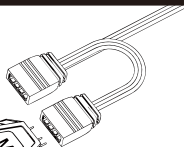
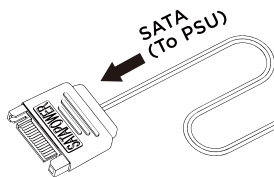


STARLINK SERIES

USER MANUAL

Mini ARGB LED Controller

Please Connect the 3P ARGB Connector to Mini ARGB LED Controller, Plug and Play.



M

Multiple Lighting Effect Mode

Click M Button to Switch Different LED Lighting Effects (9 Lighting Effects)

M > **S**

LED Speed Adjustment

Click M button to Enter Multiple Lighting Effect Mode
Click S Button to Change LED Speed (5 LED Speeds Available)

S > **C** or **M**
OFF 2 SEC ON ON

LED On/Off

Click S Button and Hold More than 2 Seconds for LED Off
Click M or C Button for LED On

C

LED Single Color Mode

Click C Button to Switch Different LED Single Color (7 Colors Available)

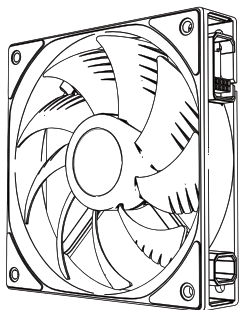
C > **S**

LED Brightness Adjustment

Click C Button to Enter LED Single Color Mode
Click S Button to Adjust LED Brightness (4 Brightness Modes)

Accessories

Fan



x3

Short Screw



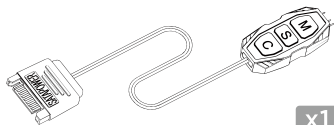
x12

Long Screw



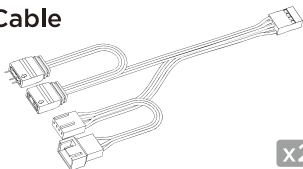
x12

Mini ARGB LED Controller



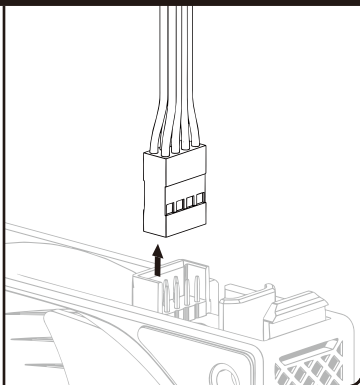
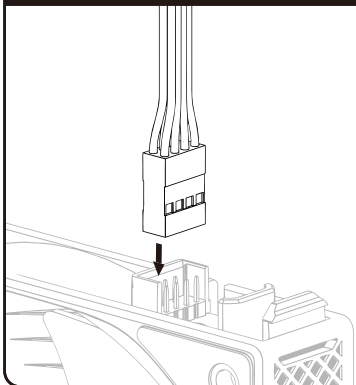
x1

Cable

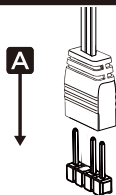
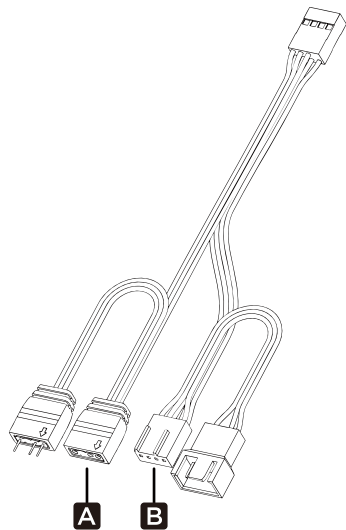


x2

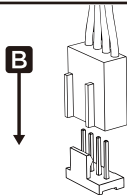
Cable Installation & Removal



Cable Installation & Removal



Support ARGB
SYNC
(Motherboard)



PWM
Connector
(Motherboard)

Fan Assembling & Removal

