

FROZR-O 240 AIO LIQUID COOLING SYSTEM USER'S MANUAL

FROZR-O 240 AIO 水冷散熱器說明書



http://www.xigmatek.com

E-mail: sales@xigmatek.com


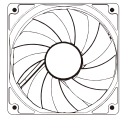
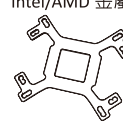



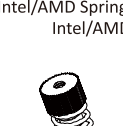




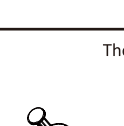


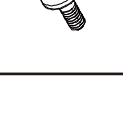
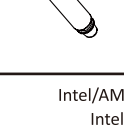
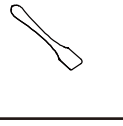
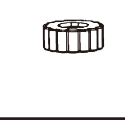
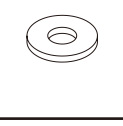
2021 © XIGMATEK Co., Ltd. All rights reserved.

All trademarks are the property of their respective owners.

1. Keep and store the product away from the reach of children.
2. Check the component list and condition of the product before installation. If there is any problem, contact the shop where you purchased to get a replacement or refund.
3. Xigmatek Co., Ltd. is not responsible for any damages due to external causes, including but not limited to, improper use, problems with electrical power, accident, neglect, alteration, repair, improper installation, and improper testing.
4. CPU and motherboard are subject to damage if the product is incorrectly installed.

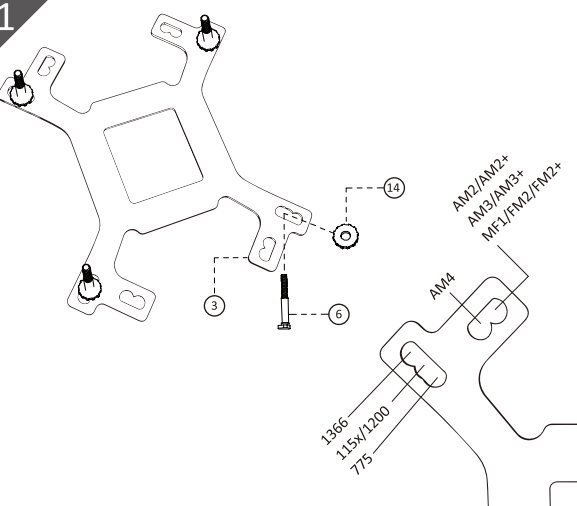
1. 請放置於兒童無法接觸的地方。
2. 安裝前請檢查產品及零件包，如有任何問題，請聯絡購買商店。
3. 產品因非自然的外在因素所造成的損壞，如有下列狀況發生，則產品皆不適用於富鈞科技產品保固條款，因意外事件、人為破壞、誤用、未授權拆卸、天然災害、錯誤安裝或電源問題所造成之損壞。
4. CPU & 主機板如未按標準安裝，不適用於富鈞科技產品保固條款。

FROZR-O 240 ACCESSORIES

 x1 FROZR-O 240 AIO Liquid Cooler FROZR-O 240 AIO 水冷散熱器	 x2 ARGB Rainbow Fan ARGB 幻彩風扇	 x1 Intel/AMD Reinforced Metal Backplate Intel/AMD 金屬強化背板	 x2 Intel Pump Head Mounting Bracket Intel 水冷頭固定支架
 x2 AMD Pump Head Mounting Bracket AMD 水冷頭固定支架	 x4 Intel/AMD Backplate Screw Bolt Intel/AMD 強化背板螺柱	 x4 Intel/AMD Spring Screw Nut Intel/AMD 彈簧螺母	 x4 Intel 2011/2066 Spring Screw Intel 2011/2066 彈簧螺絲
 x8 Fan Screw 風扇安裝螺絲	 x4 Pump Head Mounting Bracket Screw 水冷頭固定支架螺絲	 x8 Radiator Screw 水冷排安裝螺絲	 x1 Thermal Paste 散熱膏
 x1 Thermal Paste Spatula 散熱膏抹刀	 x4 Backplate Screw Bolt Washer 強化背板螺柱墊片	 x4 Washer 墊片	 x4 Intel/AMD Stand-off Intel/AMD 套筒
 x1 ARGB Fan & Pump Head LED Remote Controller ARGB 風扇 & 水冷頭 LED 遙控器	 x1 ARGB MB SYNC Cable ARGB 主板同步訊號線	 x1 ARGB Fan & Pump Head LED Control Box ARGB 風扇 & 水冷頭 LED 控制盒	

Intel LGA 115x/1200/1366

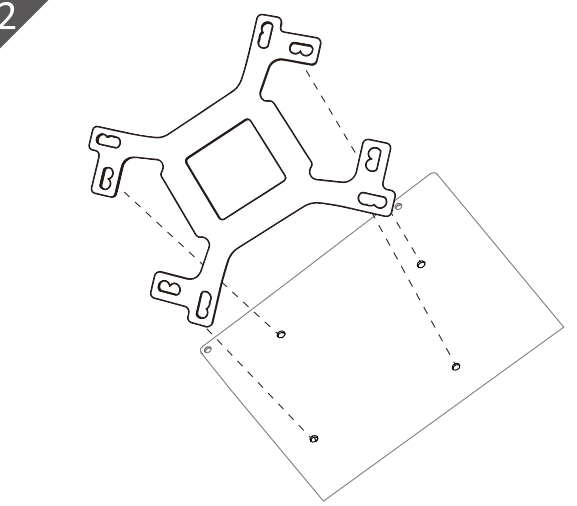
1



1. Insert screw bolts to Intel 115x or 1366 backplate mounting holes. 2. Install screw bolt washers to lock the screw bolts & backplate.

1. 安裝螺桿對準後插入 Intel 115x 或 1366 強化背板孔位
2. 安裝強化背板絕緣墊，套上螺桿後壓緊

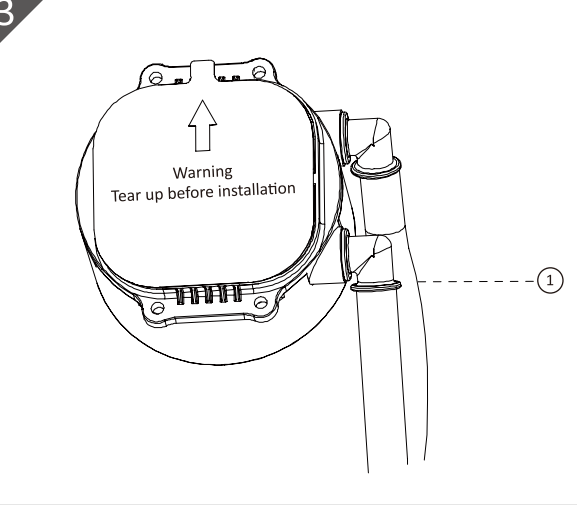
2



1. Make sure the screw bolt is lock in on the backplate. 2. Install the backplate to motherboard

1. 請確認螺桿有正確鎖定在強化背板上
2. 安裝強化背板對準主機板安裝孔

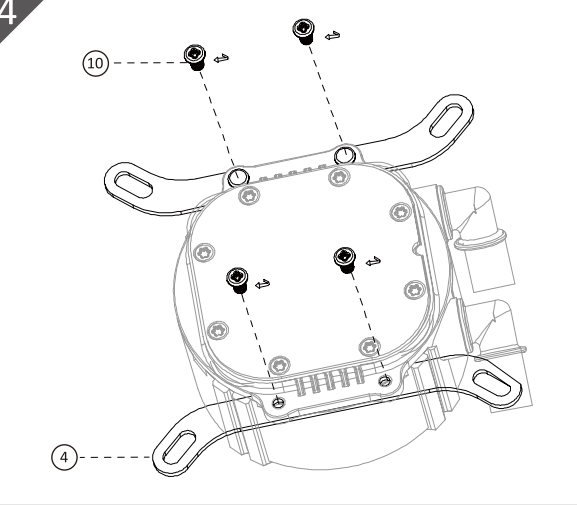
3



Remove copper cold plate protective film.

移除水冷銅底保護膜

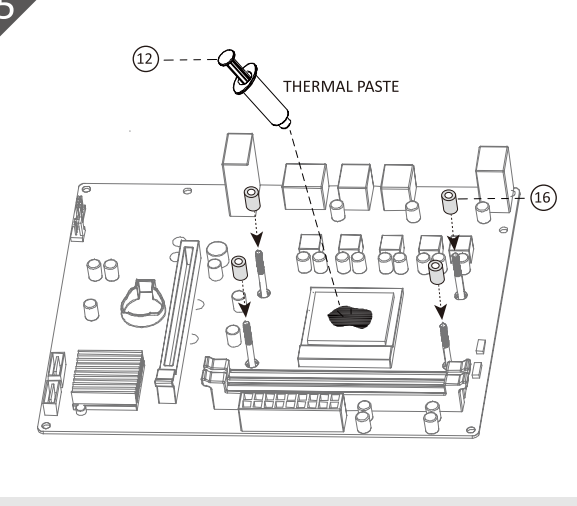
4



Install the Intel pump head mounting brackets.

安裝 Intel 水冷頭固定支架

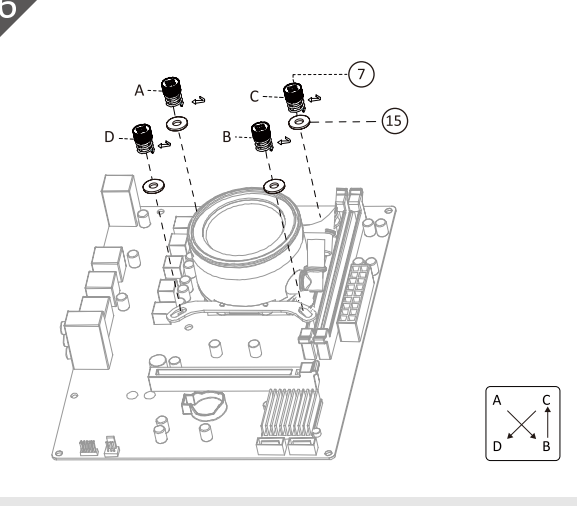
5



1. Clean the CPU surface. 2. Apply and spread the thermal paste to CPU evenly using included spatula. 3. Place the stand-off to backplate screw bolts.

1. 清潔 CPU 表面
2. CPU 表面擠適量散熱膏，用抹刀塗抹均勻
3. 放置套筒到強化背板螺柱

6

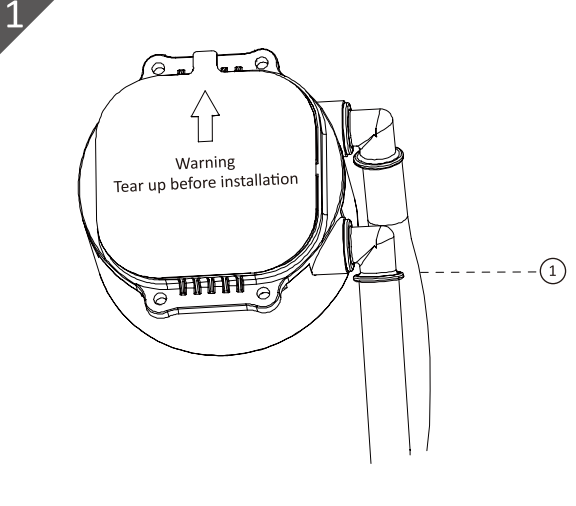


1. Align the Intel pump head mounting brackets to backplate screw bolts, then place the pump head on the CPU carefully. 2. Using spring screw nuts to complete the pump head and motherboard installation

1. 安裝水冷頭對準背板螺柱後放置在 CPU 上
2. 使用彈簧螺母完成水冷頭及主板的安裝

Intel LGA 2011/2066

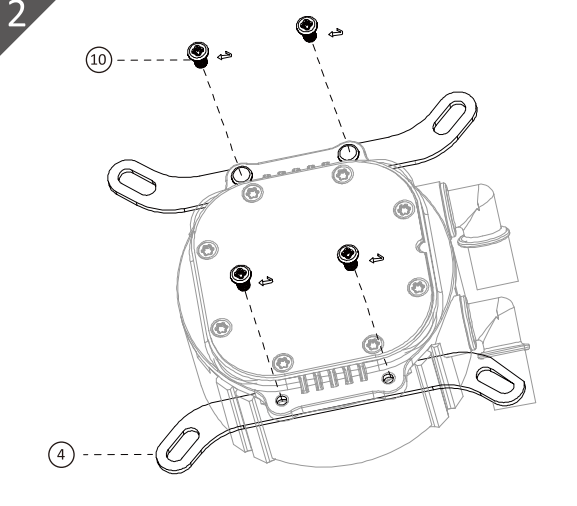
1



Remove copper cold plate protective film.

移除水冷頭銅底保護膜

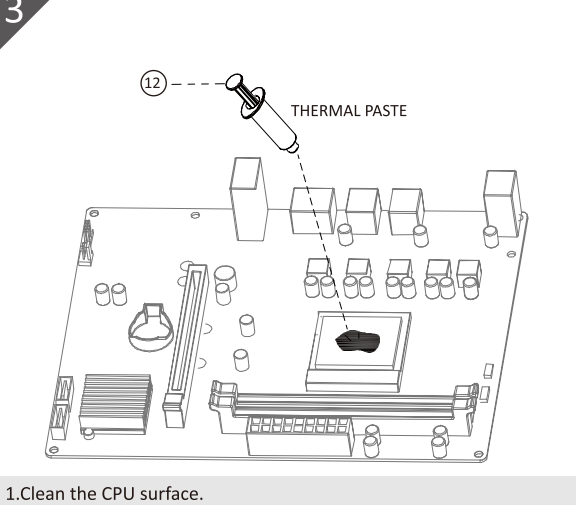
2



Install the Intel pump head mounting brackets.

安裝 Intel 水冷頭固定支架

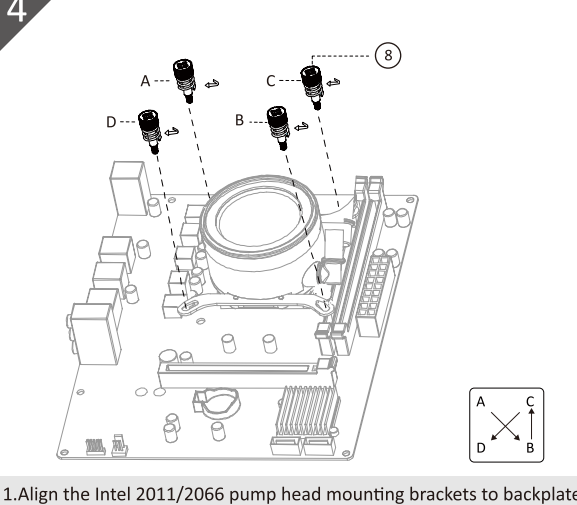
3



1. Clean the CPU surface. 2. Apply and spread the thermal paste to CPU evenly using included spatula.

1. 清潔 CPU 表面
2. CPU 表面擠適量散熱膏，用抹刀塗抹均勻

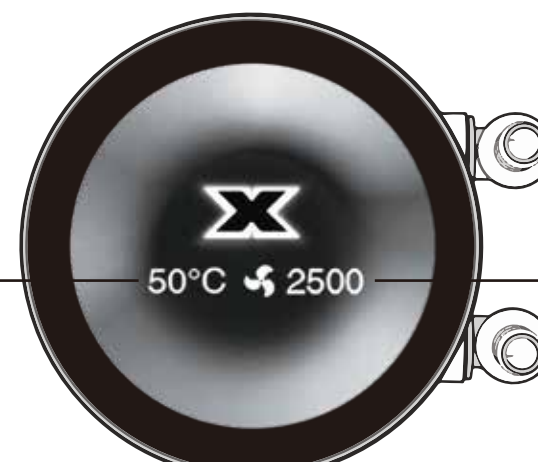
4



1. Align the Intel 2011/2066 pump head mounting brackets to backplate screw bolts, then place the pump head on the CPU carefully. 2. Using spring screw to complete the pump head and motherboard installation.

1. 安裝水冷頭對準背板螺柱後放置在 CPU 上
2. 使用彈簧螺桿完成水冷頭及主板的安裝

Smart OLED Display

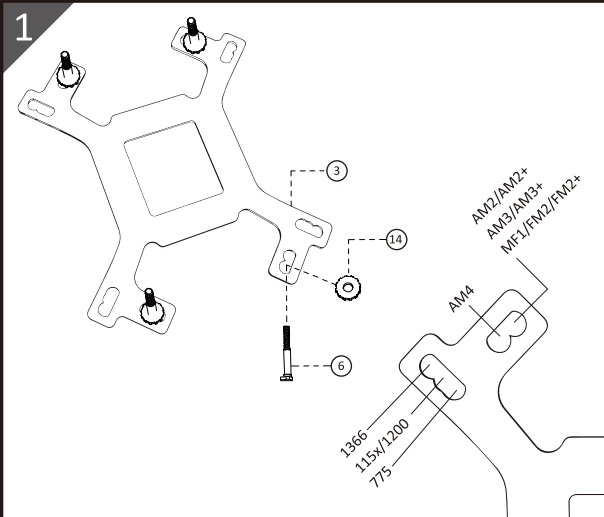


Cold Plate Temperature (CPU Temp.)

50°C 2500

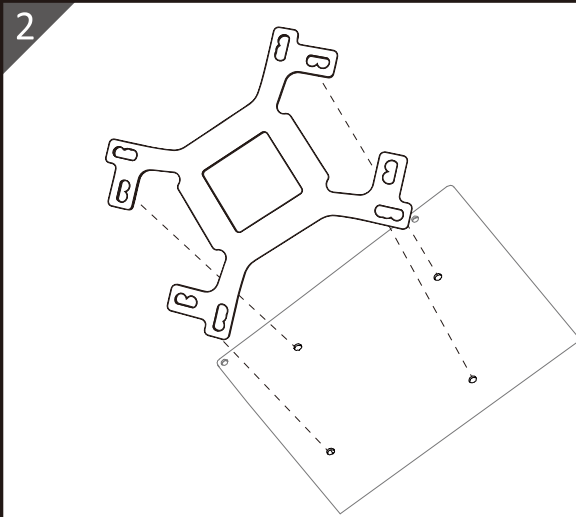
Pump RPM

AMD AM3/AM4



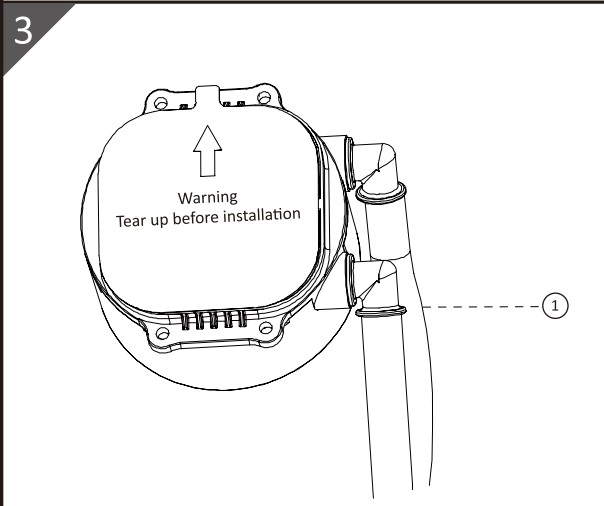
1. Insert screw bolts to AMD AM3 or AM4 backplate mounting holes.
2. Install screw bolt washers to lock the screw bolts & backplate.

1. 安裝螺桿對準後插入AMD AM3或AM4強化背板孔位
2. 安裝強化背板絕緣墊，套上螺桿後壓緊



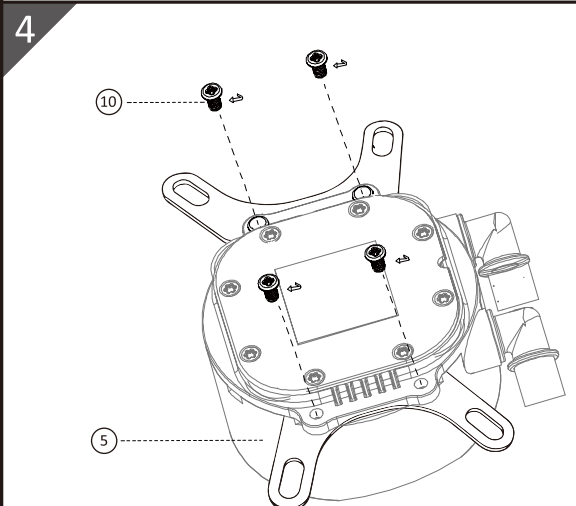
1. Make sure the screw bolt is lock in on the backplate.
2. Install the backplate to motherboard

1. 請確認螺桿有正確鎖定在強化背板上
2. 安裝強化背板對準主機板安裝孔



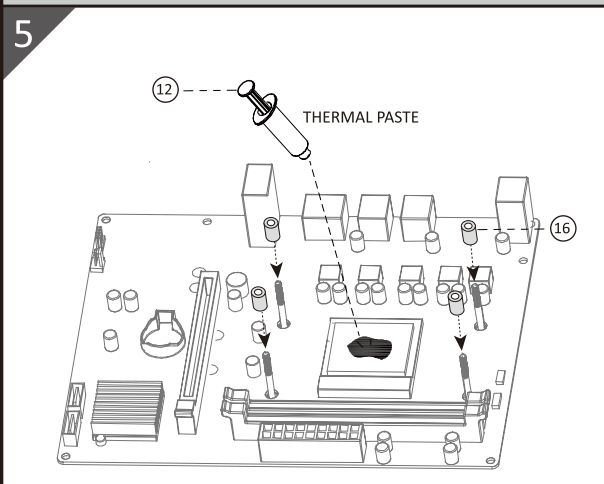
Remove copper cold plate protective film.

移除水冷銅底保護膜



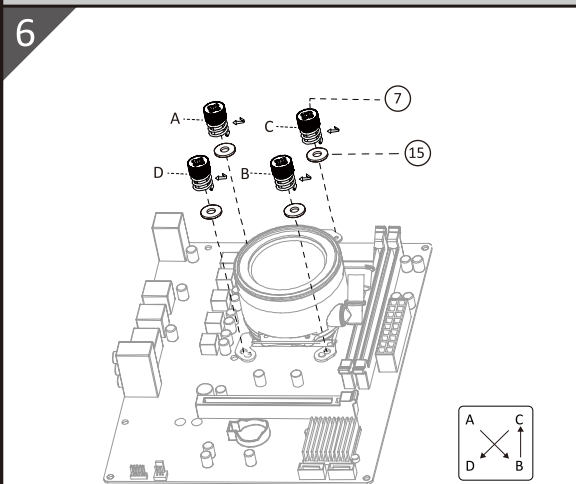
Install the AMD pump head mounting brackets.

安裝AMD水冷頭固定支架



1. Clean the CPU surface. 2. Apply and spread the thermal paste to CPU evenly using included spatula. 3. Place the stand-off to backplate screw bolt.

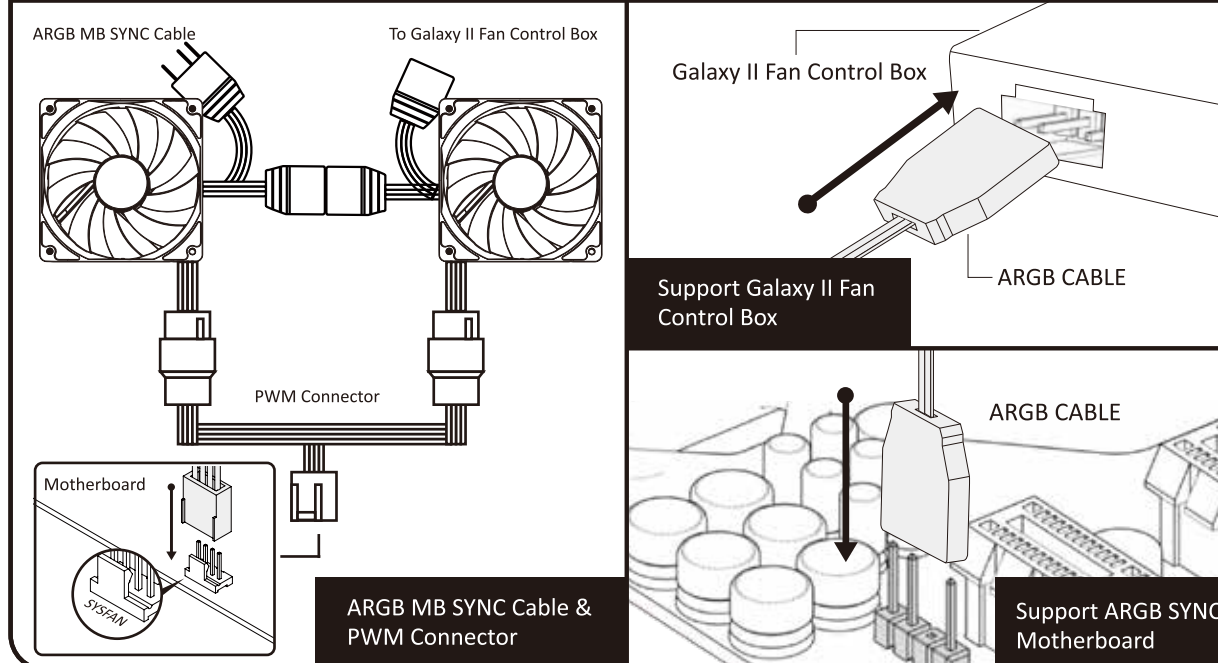
1. 清潔CPU表面
2. CPU表面擠適量散熱膏，用抹刀塗抹均勻
3. 放置套筒到強化背板螺桿



1. Align the AMD pump head mounting brackets to backplate screw bolts, then place the pump head on the CPU carefully. 2. Using spring screw nuts to complete the pump head and motherboard installation.

1. 安裝水冷頭對準背板螺桿後放置在CPU上
2. 使用彈簧螺母完成水冷頭及主板的安裝

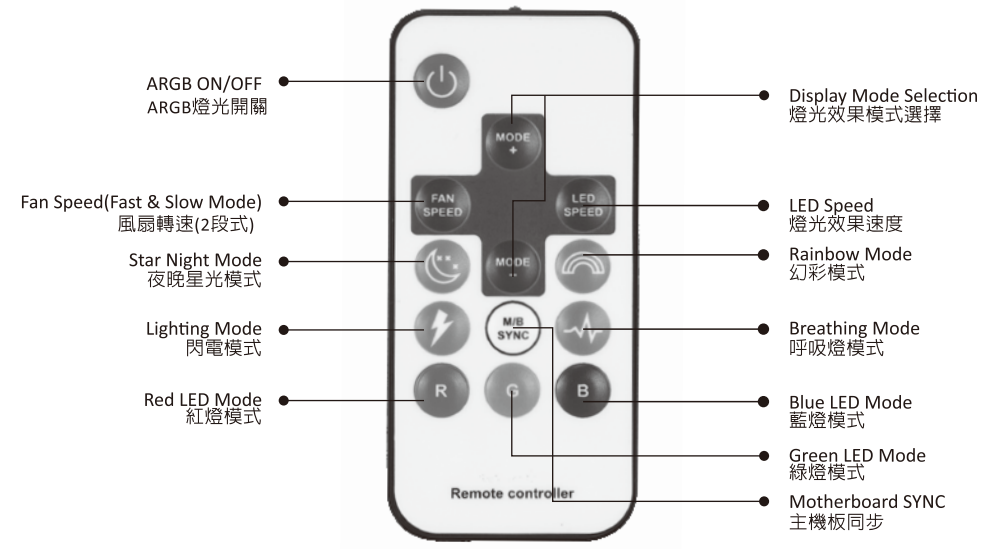
Cable & Connector Installation



ARGB MB SYNC Cable & PWM Connector

Support ARGB SYNC Motherboard

ARGB Remote Controller

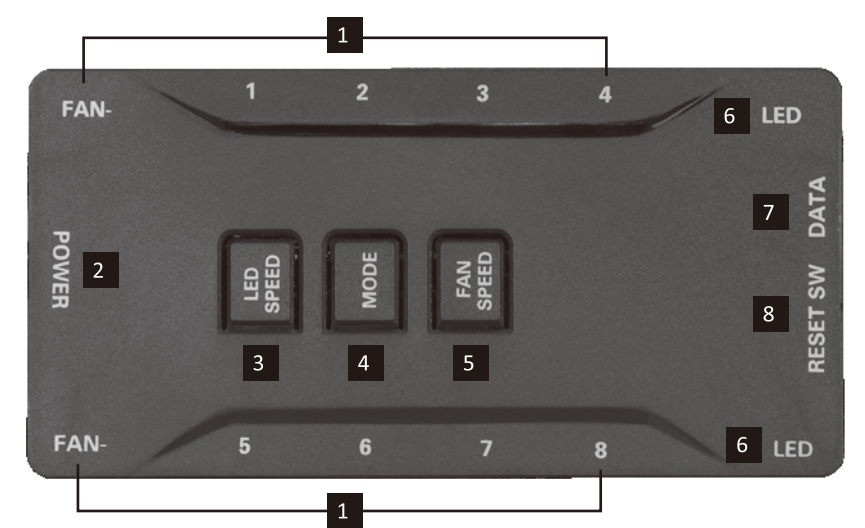


CAUTION 注意事項

To Sync with the ARGB motherboard, press M/B SYNC button after connecting the fans and ARGB cable to motherboard ARGB header.

當ARGB風扇及ARGB水冷頭LED連接ARGB控制盒後，主機板同步按鈕可切換主機板主控或ARGB控制盒主控模式

Galaxy II Fan Control Box



- 1 Fan 1~8: 6Pin Port
- 2 Power: 4Pin Molex Power Connector (To PSU)
- 3 LED SPEED
- 4 MODE
- 5 FAN SPEED
- 6 LED: ARGB Port (Connect Other ARGB Accessories)
- 7 DATA: ARGB Port (Connect to ARGB Motherboard)
- 8 Reset SW: Connect to PC Case Reset Button To Change Color Mode)

- 1 6Pin 孔位
- 2 大4P接頭 (連接電源供應器)
- 3 燈光效果速度
- 4 燈光效果模式選擇
- 5 風扇轉速
- 6 ARGB孔位(可連接其它標準ARGB周邊零組件)
- 7 ARGB訊號線孔位(連接主機板)
- 8 連接機殼Reset按鈕，可切換燈光模式

ARGB Control Box Power Consumption :
Total 40W maximum
12V: Total 36W maximum

Caution: Please do not over power the controller box, it is dangerous and might cause damage!

CAUTION

1. Please check your PSU 5V & 12V power output specification, make sure PSU single 4pin molex connector can support sufficient power output to avoid PSU cable over heat and meltdown.
2. Please use at least 450W PSU and 18AWG thickness 4Pin Molex cable if connect more than 6 fans.
3. It will NOT work with 4 pin RGB or 12V RGB fans or light stripes.

注意事項

1. 請注意您的電源供應器5V & 12V電流輸出的規格，請確保電源供應器的大4P接頭可以支援足夠的電流輸出，造成壓降導致線材過熱或融化。
2. 請選用最少450W的電源供應器，如果連接超過6顆風扇時，請確定大4P線材粗細符合18AWG的標準。
3. 此ARGB控制盒不支援4Pin RGB或12V RGB 風扇或燈條。