



# LIQUID-KILLER X LIQUID COOLING SYSTEM USER'S MANUAL

## AIO 水冷散熱器說明書



http://www.xigmatek.com

E-mail: sales@xigmatek.com

2023-2027 © XIGMATEK Co., Ltd. All rights reserved.

All trademarks are the property of their respective owners.

1. Keep and store the product away from the reach of children.
2. Check the component list and condition of the product before installation. If there is any problem, contact the shop where you purchased to get a replacement or refund.
3. Xigmatek Co., Ltd. is not responsible for any damages due to external causes, including but not limited to, improper use, problems with electrical power, accident, neglect, alteration, repair, improper installation, and improper testing.
4. CPU and motherboard are subject to damage if the product is incorrectly installed.

1. 請放置於兒童無法接觸的地方。
2. 安裝前請檢查產品及零件包，如有任何問題，請聯絡購買商店。
3. 產品因非自然的外在因素所造成的損壞，如有下列狀況發生，則產品皆不適用於富鈞科技產品保固條款，因意外事件、人為破壞、誤用、未授權拆卸、天然災害、錯誤安裝或電源問題所造成之損壞。
4. CPU & 主機板如未按標準安裝，不適用於富鈞科技產品保固條款。










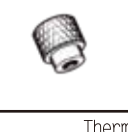


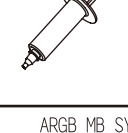
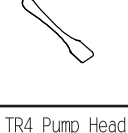
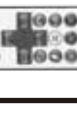



## LIQUID-KILLER X 240 ACCESSORIES

1 LIQUID-KILLER X 240 LIQUID-KILLER X 240水冷散熱器  <b>x1</b>	2 ARGB Rainbow Fan ARGB 幻彩風扇  <b>x2</b>	3 Intel Reinforced Plastic Steel Backplate Intel 塑鋼強化背板  <b>x1</b>	4 Intel Pump Head Mounting Bracket Intel 水冷頭固定支架  <b>x2</b>
5 AMD Pump Head Mounting Bracket AMD 水冷頭固定支架  <b>x2</b>	6 AMD Backplate Screw Buckle AMD 背板螺絲扣環  <b>x2</b>	7 Intel 115x/1200 Backplate Screw Bolt Intel 115x/1200背板螺柱  <b>x4</b>	8 Intel 1700 Backplate Screw Bolt Intel 1700背板螺柱  <b>x4</b>
9 Intel 20xx Backplate Screw Bolt Intel 20xx背板螺柱  <b>x4</b>	10 Intel/AMD Thumbscrew Caps Intel/AMD安裝螺母  <b>x4</b>	11 Fan Screw 風扇安裝螺絲  <b>x8</b>	12 Pump Head Mounting Bracket Screw 水冷頭固定支架螺絲  <b>x4</b>
13 Radiator Screw 水冷排安裝螺絲  <b>x8</b>	14 Thermal Paste 散熱膏  <b>x1</b>	15 Thermal Paste Spatula 散熱膏抹刀  <b>x1</b>	16 ARGB Fan & Pump Head LED Control Box ARGB 風扇 & 水冷頭 LED 控制盒  <b>x1</b>
17 ARGB Fan & Pump Head LED Remote Controller ARGB 風扇 & 水冷頭 LED 遙控器  <b>x1</b>	18 ARGB MB SYNC Cable ARGB 主板同步訊號線  <b>x1</b>		

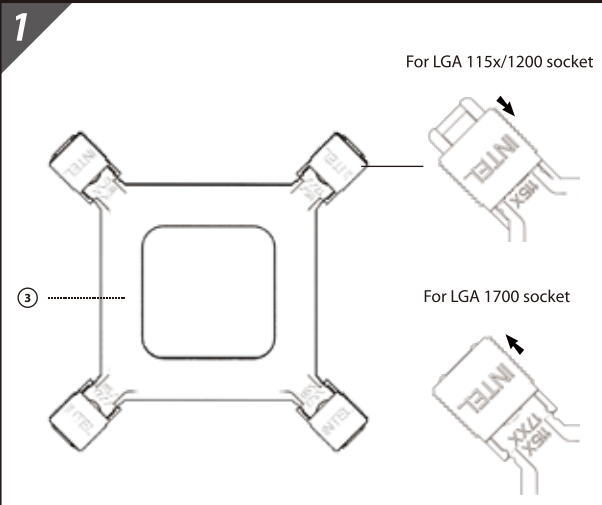
## LIQUID-KILLER X 120 ACCESSORIES

1 LIQUID-KILLER X 120 LIQUID-KILLER X 120水冷散熱器  <b>x1</b>	2 ARGB Rainbow Fan ARGB 幻彩風扇  <b>x1</b>	3 Intel Reinforced Plastic Steel Backplate Intel 塑鋼強化背板  <b>x1</b>	4 Intel Pump Head Mounting Bracket Intel 水冷頭固定支架  <b>x2</b>
5 AMD Pump Head Mounting Bracket AMD 水冷頭固定支架  <b>x2</b>	6 AMD Backplate Screw Buckle AMD 背板螺絲扣環  <b>x2</b>	7 Intel 115x/1200 Backplate Screw Bolt Intel 115x/1200背板螺柱  <b>x4</b>	8 Intel 1700 Backplate Screw Bolt Intel 1700背板螺柱  <b>x4</b>
9 Intel 20xx Backplate Screw Bolt Intel 20xx背板螺柱  <b>x4</b>	10 Intel/AMD Thumbscrew Caps Intel/AMD安裝螺母  <b>x4</b>	11 Fan Screw 風扇安裝螺絲  <b>x4</b>	12 Pump Head Mounting Bracket Screw 水冷頭固定支架螺絲  <b>x4</b>
13 Radiator Screw 水冷排安裝螺絲  <b>x4</b>	14 Thermal Paste 散熱膏  <b>x1</b>	15 Thermal Paste Spatula 散熱膏抹刀  <b>x1</b>	16 ARGB Fan & Pump Head LED Control Box ARGB 風扇 & 水冷頭 LED 控制盒  <b>x1</b>
17 ARGB Fan & Pump Head LED Remote Controller ARGB 風扇 & 水冷頭 LED 遙控器  <b>x1</b>	18 ARGB MB SYNC Cable ARGB 主板同步訊號線  <b>x1</b>		

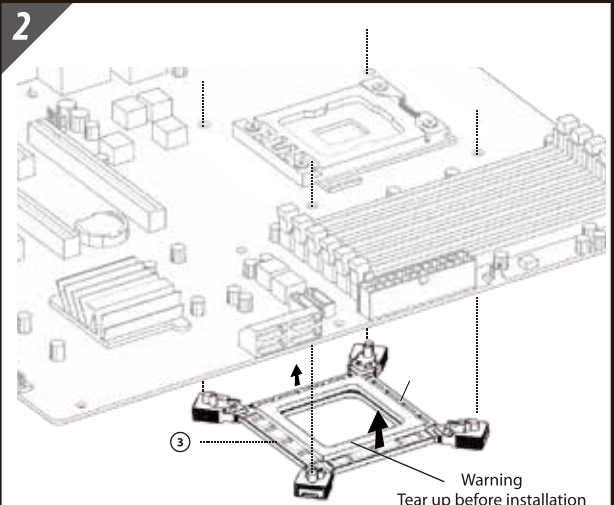
## LIQUID-KILLER X 360 ACCESSORIES

1 LIQUID-KILLER X 360 LIQUID-KILLER X 360水冷散熱器  <b>x1</b>	2 ARGB Rainbow Fan ARGB 幻彩風扇  <b>x3</b>	3 Intel Reinforced Plastic Steel Backplate Intel 塑鋼強化背板  <b>x1</b>	4 Intel Pump Head Mounting Bracket Intel 水冷頭固定支架  <b>x2</b>
5 AMD Pump Head Mounting Bracket AMD 水冷頭固定支架  <b>x2</b>	6 AMD Backplate Screw Buckle AMD 背板螺絲扣環  <b>x2</b>	7 Intel 115x/1200 Backplate Screw Bolt Intel 115x/1200背板螺柱  <b>x4</b>	8 Intel 1700 Backplate Screw Bolt Intel 1700背板螺柱  <b>x4</b>
9 Intel 20xx Backplate Screw Bolt Intel 20xx背板螺柱  <b>x4</b>	10 Intel/AMD Thumbscrew Caps Intel/AMD安裝螺母  <b>x4</b>	11 Fan Screw 風扇安裝螺絲  <b>x12</b>	12 Pump Head Mounting Bracket Screw 水冷頭固定支架螺絲  <b>x4</b>
13 Radiator Screw 水冷排安裝螺絲  <b>x12</b>	14 Thermal Paste 散熱膏  <b>x1</b>	15 Thermal Paste Spatula 散熱膏抹刀  <b>x1</b>	16 ARGB Fan & Pump Head LED Control Box ARGB 風扇 & 水冷頭 LED 控制盒  <b>x1</b>
17 ARGB Fan & Pump Head LED Remote Controller ARGB 風扇 & 水冷頭 LED 遙控器  <b>x1</b>	18 ARGB MB SYNC Cable ARGB 主板同步訊號線  <b>x1</b>	19 AMD TR4 Pump Head Mounting Bracket AMD TR4 水冷頭固定支架  <b>x2</b>	20 AMD TR4 Backplate Screw Bolt AMD TR4背板螺柱  <b>x4</b>

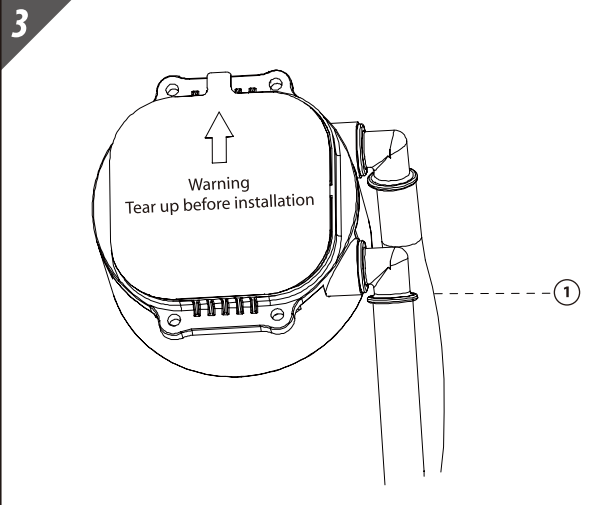
# Intel LGA 115x/1200/1700



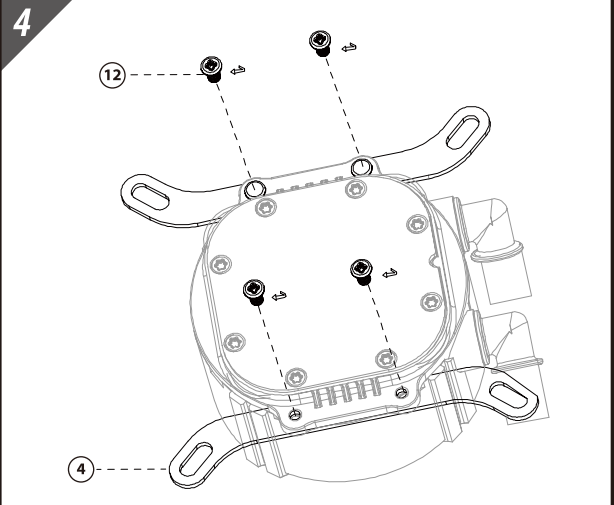
Slide the plastic clips to Intel LGA115x/1200 or 1700 backplate mounting holes.  
將塑膠套滑動至 Intel LGA115x/1200 or 1700背板固定孔位



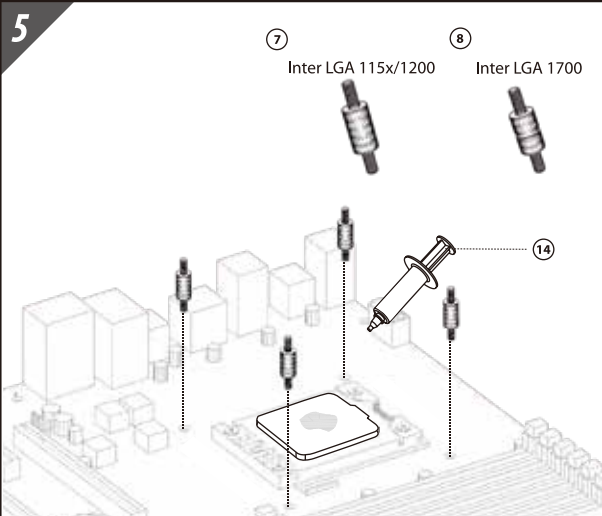
1. Make sure the screw bolt is lock in on the backplate.  
2. Install the backplate to motherboard  
1. 請確認螺桿有正確鎖定在強化背板上  
2. 安裝強化背板對準主機板安裝孔



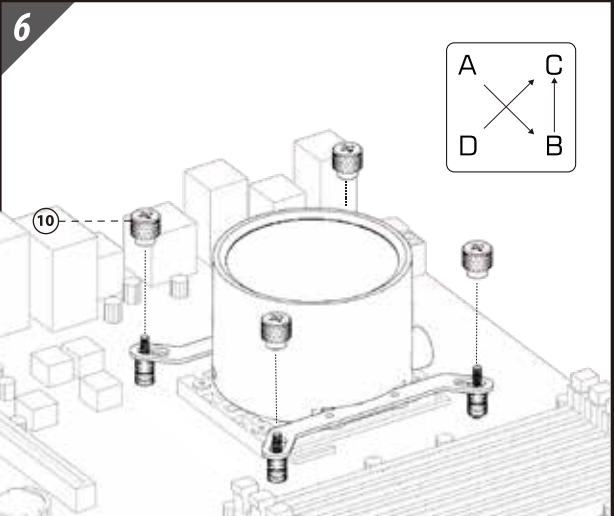
Remove copper cold plate protective film.  
移除水冷銅底保護膜



Install the Intel pump head mounting brackets.  
安裝Intel水冷頭固定支架

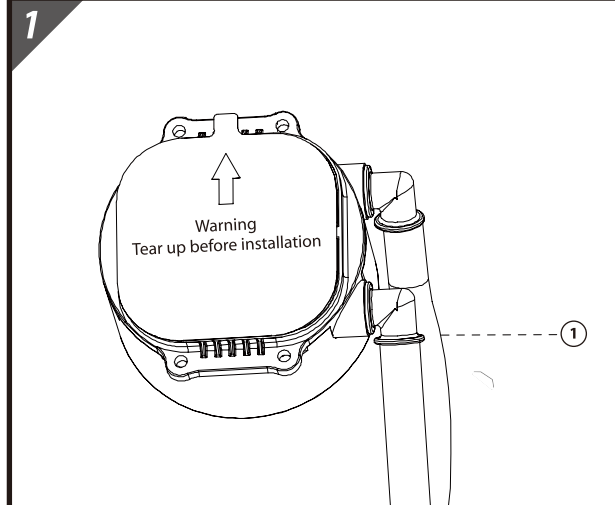


1. Clean the CPU surface.  
2. Apply and spread the thermal paste to CPU evenly using included spatula.  
3. Screw on the screw bolt.  
1. 清潔CPU表面  
2. CPU表面擠適量散熱膏，用抹刀塗抹均勻  
3. 鎖上背板螺柱

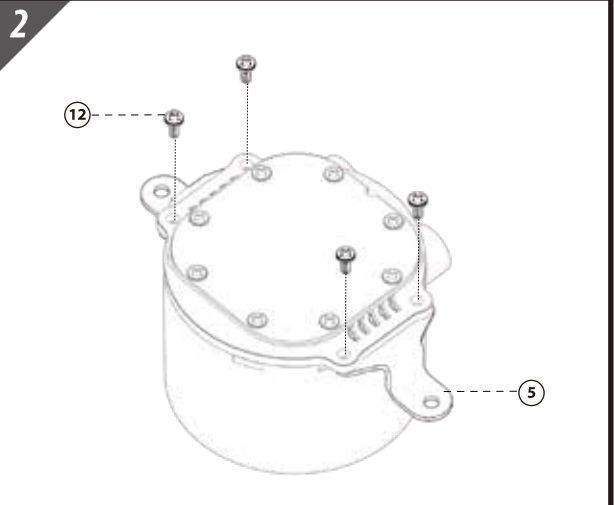


1. Align the Intel pump head mounting brackets to backplate screw bolts, then place the pump head on the CPU carefully.  
2. Using thumbscrew caps to complete the pump head and motherboard  
1. 安裝水冷頭對準背板螺桿後放置在CPU上  
2. 使用螺母完成水冷頭及主板的安裝

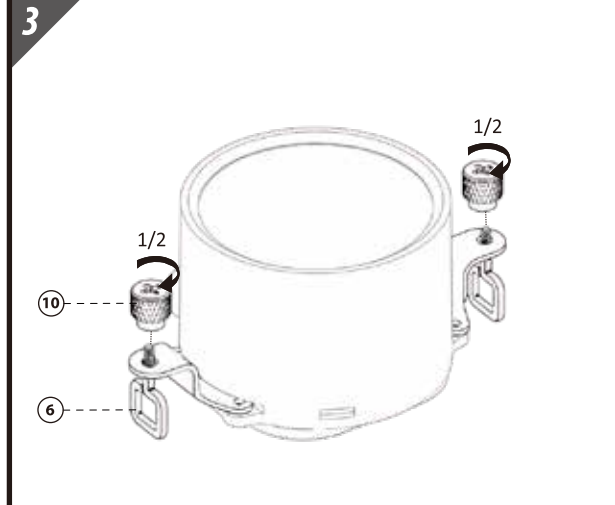
# AMD AM3/AM4/AM5



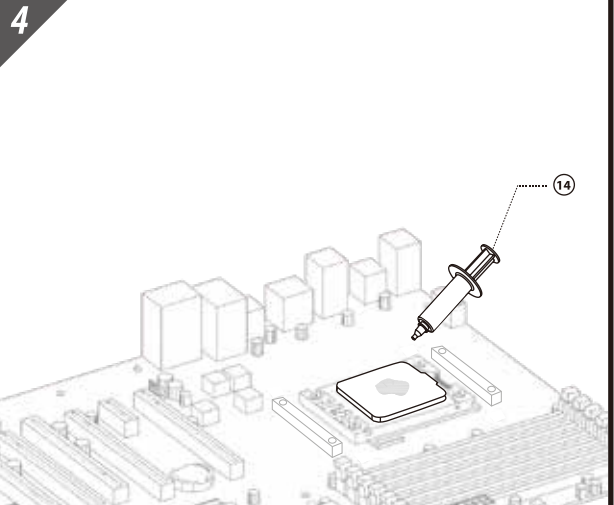
Remove copper cold plate protective film.  
移除水冷銅底保護膜



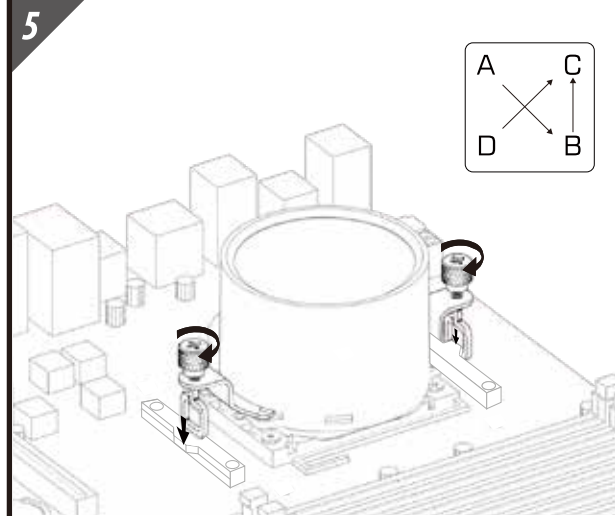
Install the AMD pump head mounting brackets.  
安裝AMD水冷頭固定支架



Install the AMD pump head mounting brackets  
安裝AMD水冷頭固定支架



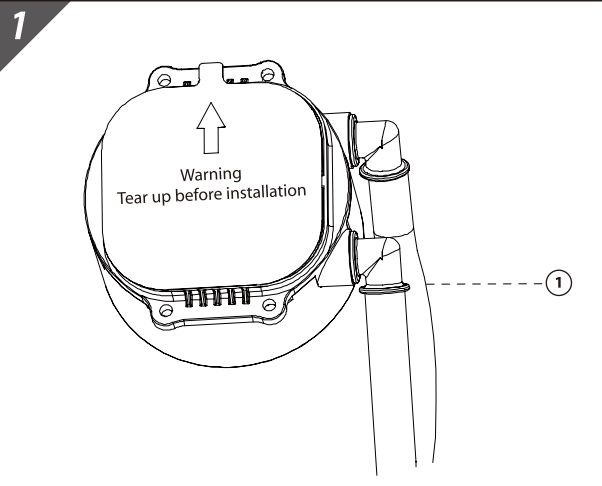
1. Clean the CPU surface.  
2. Apply and spread the thermal paste to CPU evenly using included spatula.  
1. 清潔CPU表面  
2. CPU表面擠適量散熱膏，用抹刀塗抹均勻



1. Align the AMD pump head mounting brackets to backplate screw bolts, then place the pump head on the CPU carefully.  
2. Using thumbscrew caps to complete the pump head and motherboard  
1. 安裝水冷頭對準背板螺桿後放置在CPU上  
2. 使用螺母完成水冷頭及主板的安裝

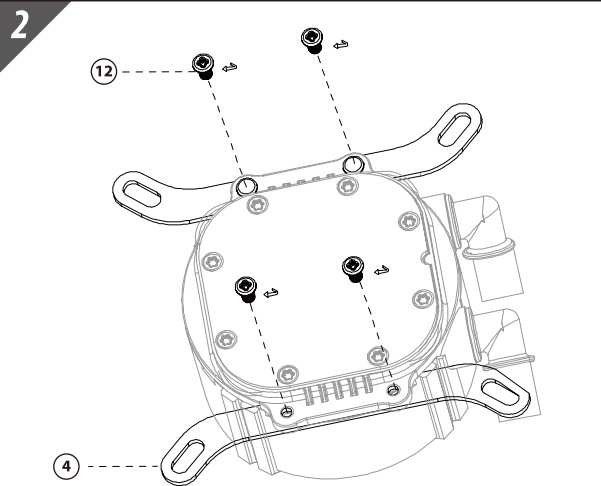


# Intel LGA 2011/2011-V3/2066



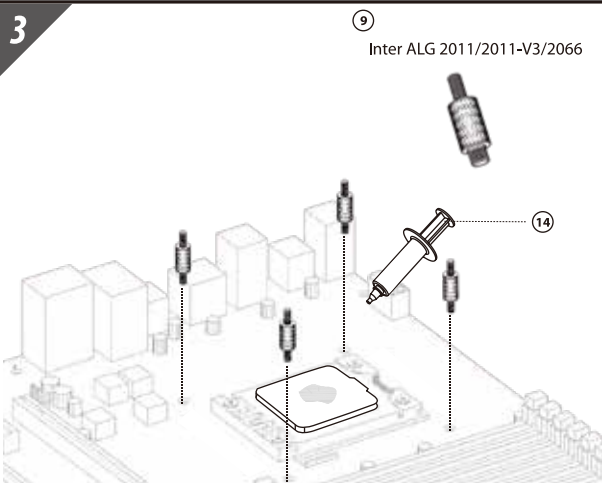
Remove copper cold plate protective film.

移除水冷頭銅底保護膜



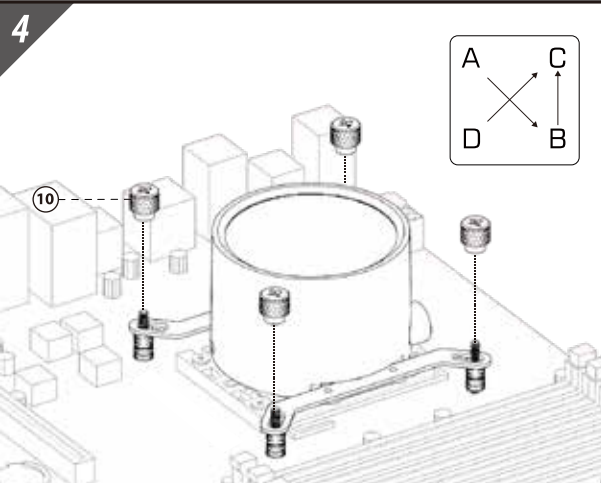
Install the Intel pump head mounting brackets.

安裝Intel水冷頭固定支架



1. Clean the CPU surface.  
2. Apply and spread the thermal paste to CPU evenly using included spatula.  
3. Screw on the screw bolt.

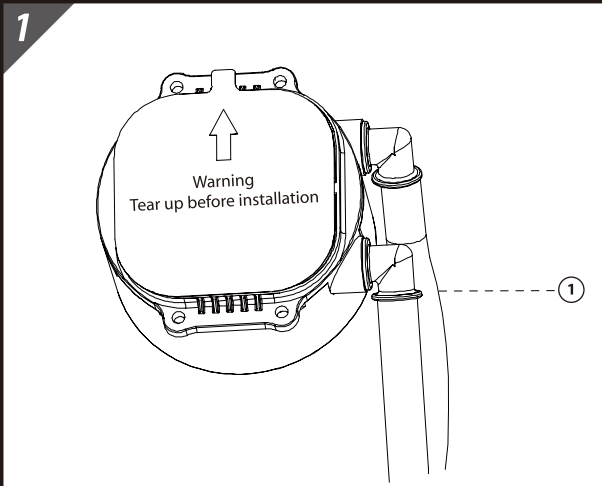
1. 清潔CPU表面  
2. CPU表面擠適量散熱膏，用抹刀塗抹均勻  
3. 鎖上背板螺柱



1. Align the Intel 2011/2066 pump head mounting brackets to backplate screw bolts, then place the pump head on the CPU carefully. 2. Using thumbscrew caps to complete the pump head and motherboard installation.

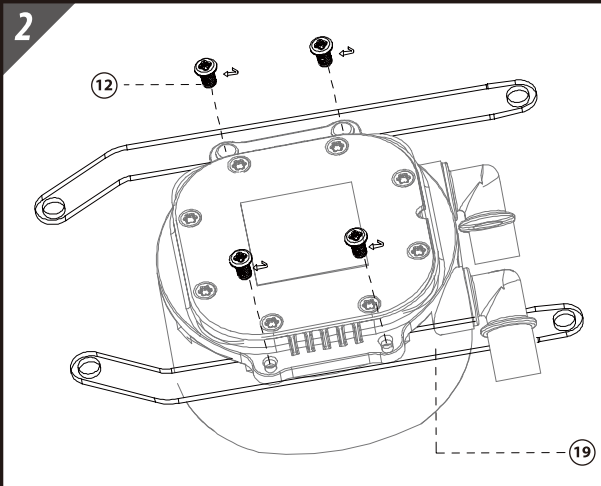
1. 安裝水冷頭對準背板螺柱後放置在CPU上  
2. 使用安裝螺母完成水冷頭及主板的安裝

# AMD TR4



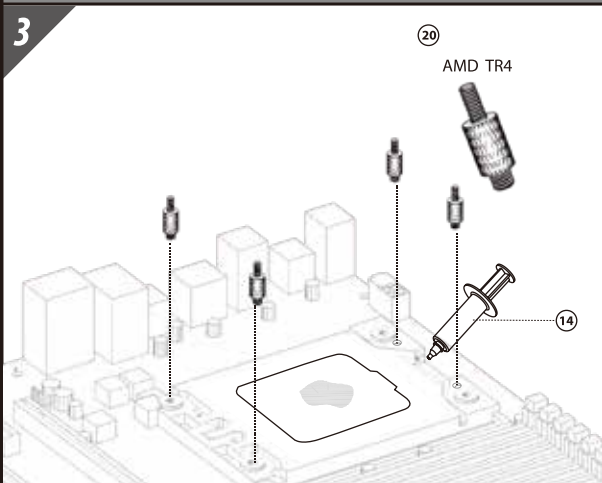
Remove copper cold plate protective film.

移除水冷頭銅底保護膜



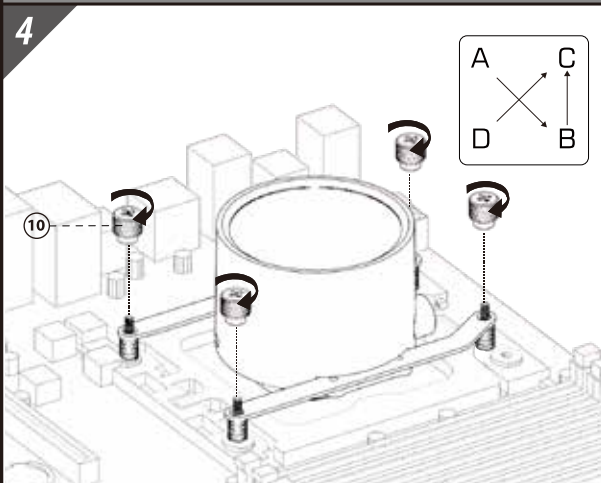
Install the AMD TR4 pump head mounting brackets.

安裝AMD TR4水冷頭固定支架



1. Clean the CPU surface.  
2. Apply and spread the thermal paste to CPU evenly using included spatula.  
3. Screw on the screw bolt.

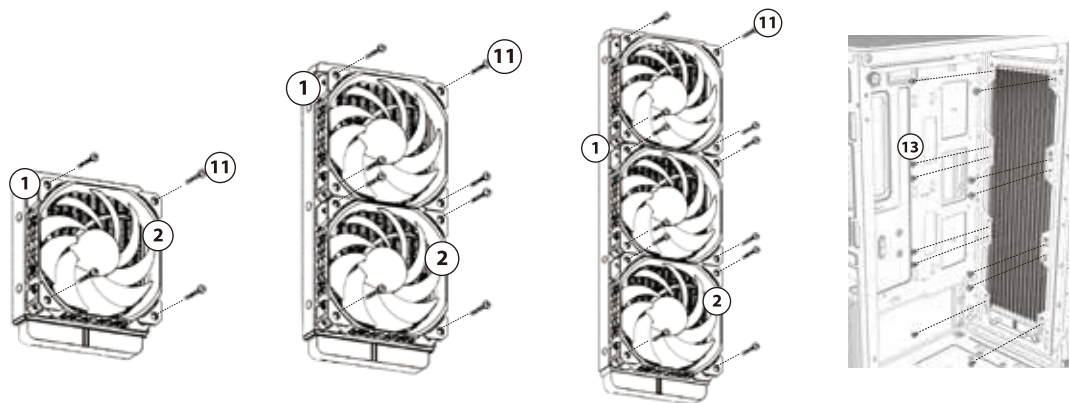
1. 清潔CPU表面  
2. CPU表面擠適量散熱膏，用抹刀塗抹均  
3. 鎖上背板螺柱



1. Align the AMD TR4 pump head mounting brackets to backplate screw bolts, place the pump head on the CPU carefully. 2. Using thumbscrew caps to complete the pump head and motherboard installation.

1. 安裝水冷頭對準背板螺柱後放置在CPU上  
2. 使用安裝螺母完成水冷頭及主板的安裝

# ARGB Fan & Radiator Installation



1. Install ARGB Fan to Radiator  
2. Install Radiator to PC case designated location

1. 將ARGB風扇安裝固定在水冷排  
2. 將水冷排安裝在電腦機殼合適的位置

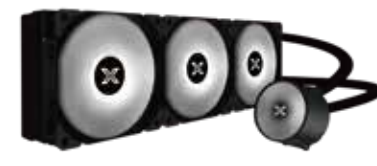
# LIQUID-KILLER X SERIES



120



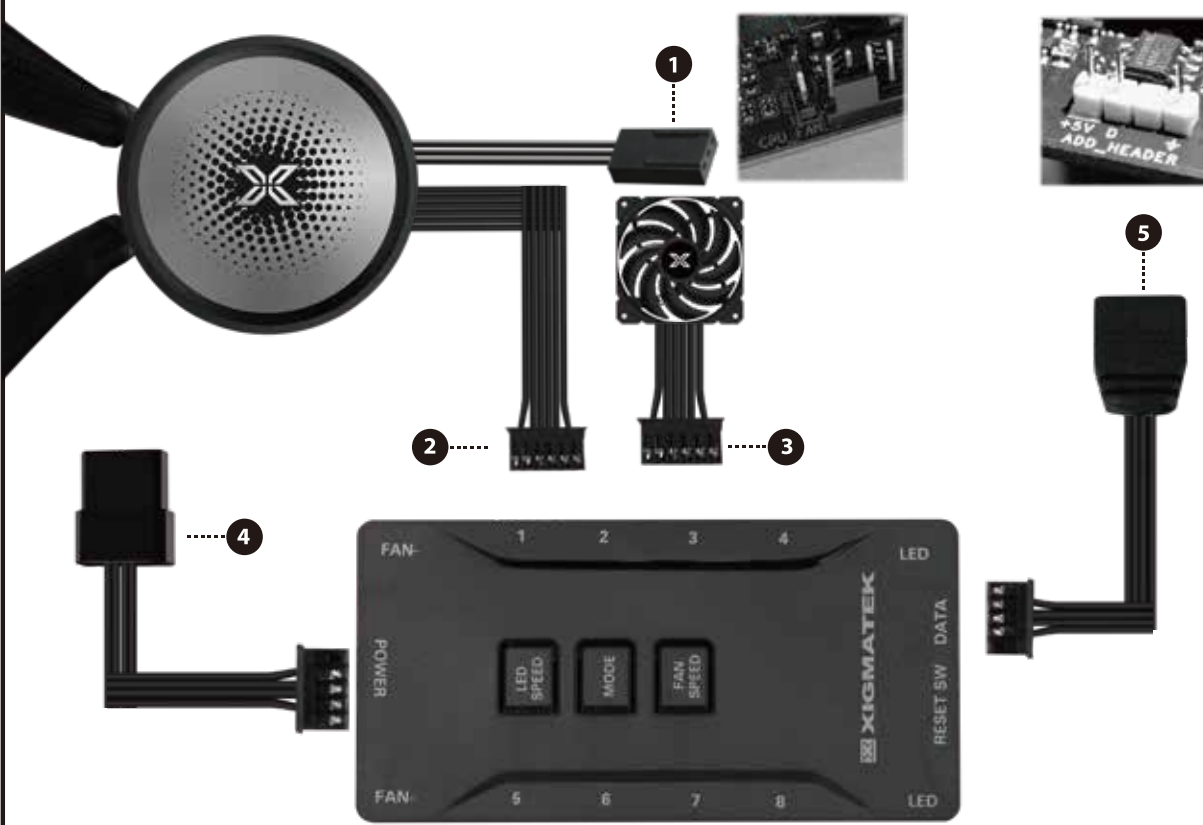
240



360



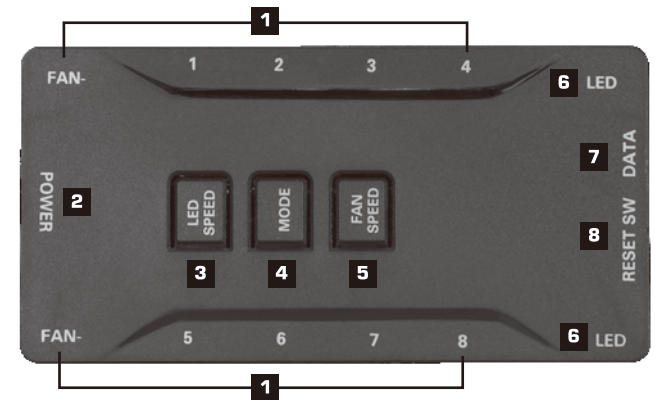
# Cable & Connector Installation



1. Pump to Motherboard CPU Fan Socket (Please Set BIOS CPU Fan Speed at Default Mode)
2. Pump LED to ARGB Control Box
3. ARGB Fan to ARGB Control Box
4. Control Box Power Cable to PSU
5. ARGB MB SYNC Signal to Motherboard ARGB Header

1. 水冷幫浦連接主機板CPU孔(請維持BIOS原廠CPU Fan轉速設定模式)
2. 水冷頭LED連接ARGB控制盒
3. ARGB風扇連接ARGB控制盒
4. ARGB控制盒供電線連接電源供應器
5. ARGB MB SYNC同步訊號連接主機板ARGB孔

# ARGB Control Box



- 1 Fan 1~8: 6Pin Port
- 2 Power: 4Pin Molex Power Connector (To PSU)
- 3 LED SPEED
- 4 MODE
- 5 FAN SPEED
- 6 LED: ARGB Port (Connect Other ARGB Accessories)
- 7 DATA: ARGB Port (Connect to ARGB Motherboard)
- 8 Reset SW: Connect to PC Case Reset Button To Change Color Mode)

- 1 6Pin 孔位
- 2 大4P接頭 (連接電源供應器)
- 3 燈光效果速度
- 4 燈光效果模式選擇
- 5 風扇轉速
- 6 ARGB孔位(可連接其它標準ARGB周邊零組件)
- 7 ARGB訊號線孔位(連接主機板)
- 8 連接機殼Reset按鈕,可切換燈效模式

## ARGB Control Box Power Consumption :

Total 40W maximum

12V: Total 36W maximum

Caution: Please do not over power the controller box, it is dangerous and might cause damage!

## ARGB控制盒功耗:

最高可支援 Total 40W

12V: 最高可支援 Total 36W

注意: 請勿超瓦使用ARGB控制盒, 這是非常危險且有可能造成損壞。

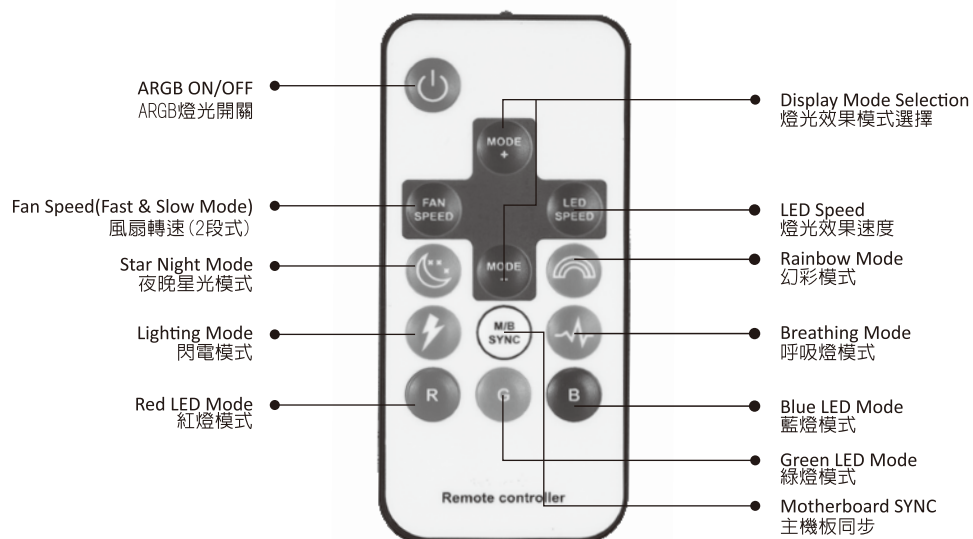
## ⚠ CAUTION

1. Please check your PSU 5V & 12V power output specification, make sure PSU single 4pin molex connector can support sufficient power output to avoid PSU cable over heat and meltdown.
2. Please use at least 450W PSU and 18AWG thickness 4Pin Molex cable if connect more than 6 fans.
3. It will NOT work with 4 pin RGB or 12V RGB fans or light stripes.

## ⚠ 注意事項

1. 請注意您的電源供應器5V & 12V電流輸出的規格, 請確保電源供應器的大4P接頭可以支援足夠的電流輸出, 造成壓降導致線材過熱或融化。
2. 請選用最少450W的電源供應器, 如果連接超過6顆風扇時, 請確定大4P線材粗細符合18AWG的標準。
3. 此ARGB控制盒不支援4Pin RGB或12V RGB 風扇或燈條。

# ARGB Remote Controller

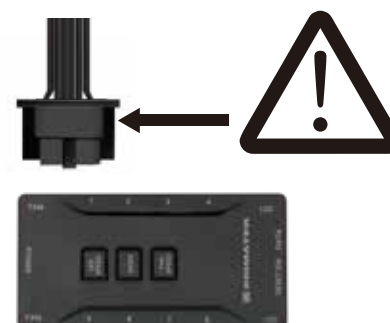


## ⚠ CAUTION 注意事項

To Sync with the ARGB motherboard, press M/B SYNC button after connecting the fans and ARGB cable to motherboard ARGB header.

當ARGB風扇及ARGB水冷頭LED連接ARGB控制盒後, 主機板同步按鈕可切換主機板主控或ARGB控制盒主控模式

# Special Note



During installation when release the fan cable from the control box, please push the connector locking clip to avoid damage, do not pull the fancable directly!!

安裝水冷頭LED & ARGB風扇時如需要移除線材接頭, 請務必按下接頭的鎖定卡扣, 以免造成損壞, 請勿直接拉扯線材。