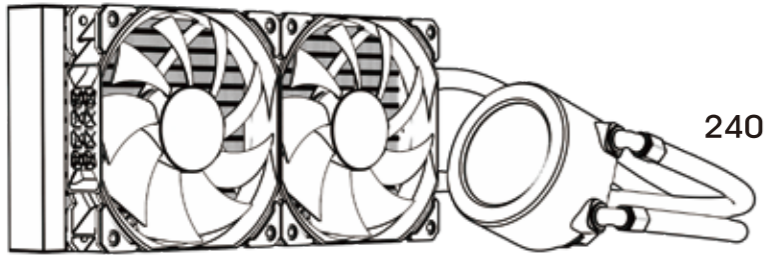
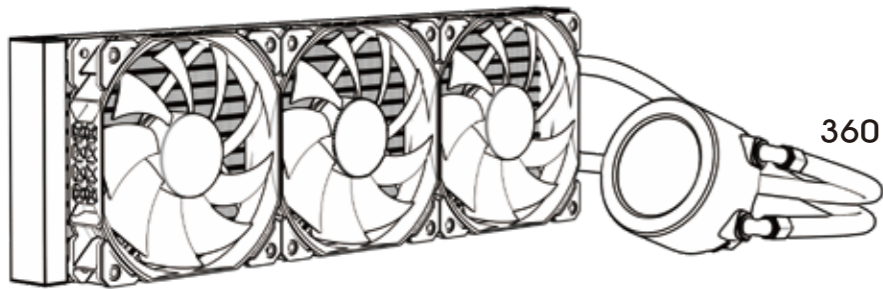


FROZR-O II Series User Manual



240



360

XIGMATEK is Registered Trademark of Xigmatek Co., Ltd.
Copyright © 2023-2027 All Rights Reserved
XIGMATEK Co., Ltd.
www.xigmatek.com Email: sales@xigmatek.com Made in China

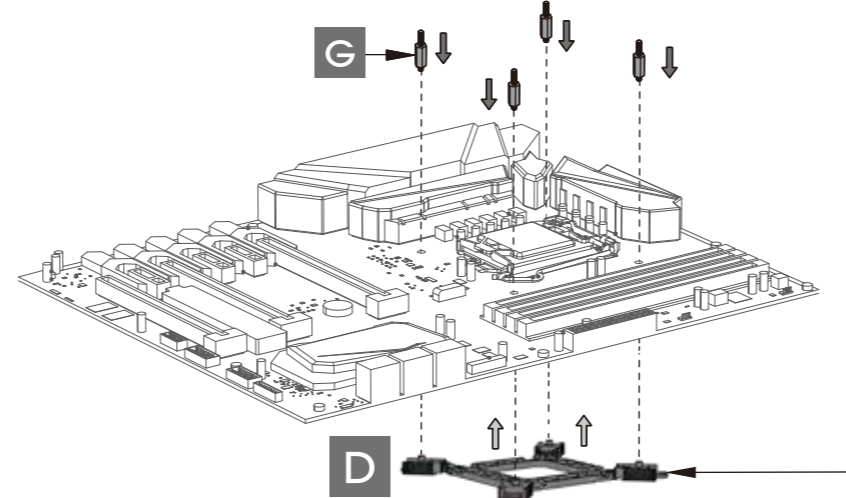
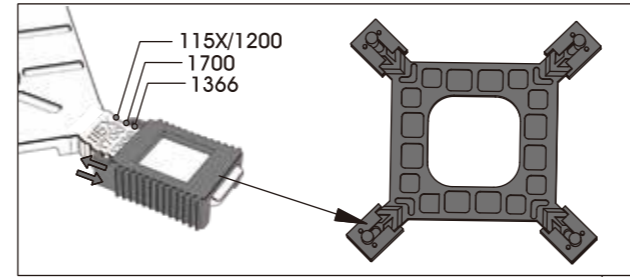
FROZR-O II Series Accessories

240	A	X1 FROZR-O II 240 AIO Liquid Cooler FROZR-O II AIO 水冷散熱器	B	X2 X22A ARGB PWM Fan ARGB X22風扇	C	X8 Case Screws 機殼螺絲
	A	X1 FROZR-O II 360 AIO Liquid Cooler FROZR-O II AIO 水冷散熱器	B	X3 X22A ARGB PWM Fan ARGB X22風扇	C	X12 Case Screws 機殼螺絲
For Intel			For AMD			
D	E	F	G	H	I	
X1 Intel Backplate Intel 背板	X1 Intel Pump Head Mounting Bracket Intel 水冷頭固定支架	X4 Intel 2011/2066 Spring Screw Intel 2011/2066彈簧螺絲	X4 Intel Double Threaded Screw Bolt Intel 背板專用雙頭螺柱	X1 AMD Pump Head Mounting Bracket AMD 水冷頭固定支架	X2 AMD Screw Stud AMD 螺桿	
For Intel/AMD		For ARGB Control				
J	K	L	M	N		
X4 Intel/AMD Screw Nut Intel/AMD 螺母	X1 Thermal Paste 散熱膏	X1 ARGB LED Remote Controller ARGB 燈效控制器	X1 ARGB LED Control BOX ARGB 燈效控制盒	X1 ARGB MB SYNC Cable ARGB 主板同步線		

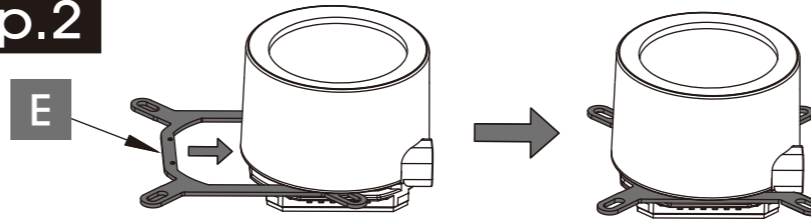
Intel Installation Guide

For Intel LGA 1700/1200/115x/1366

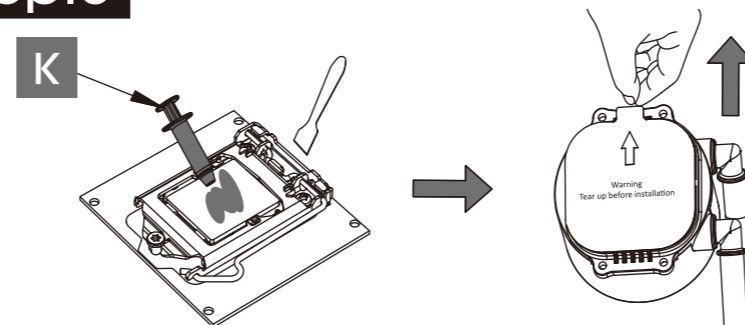
Step.1



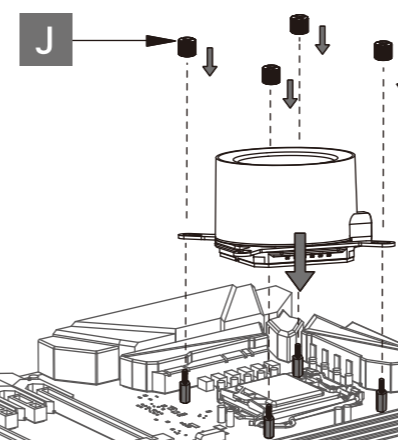
Step.2



Step.3

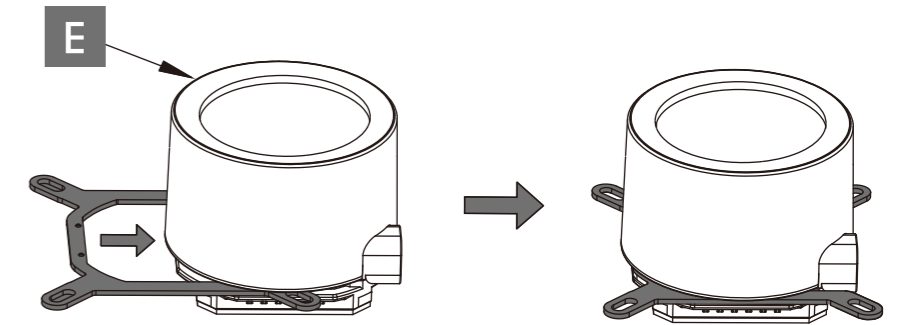


Step.4

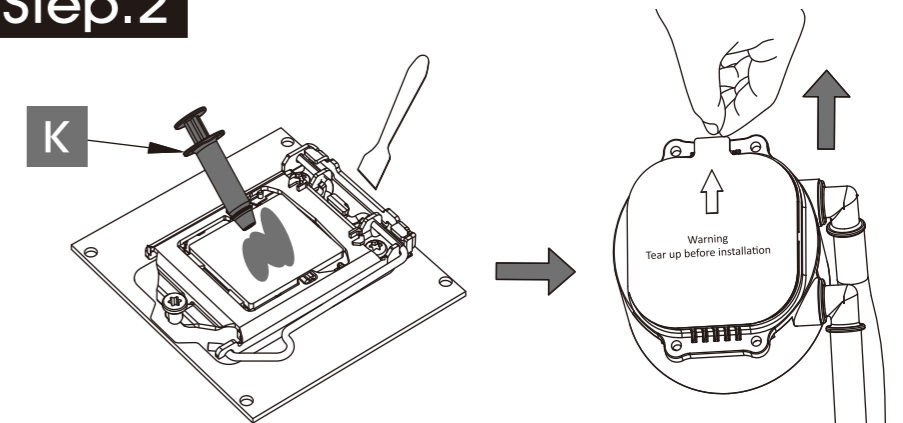


For Intel LGA 2011/2066

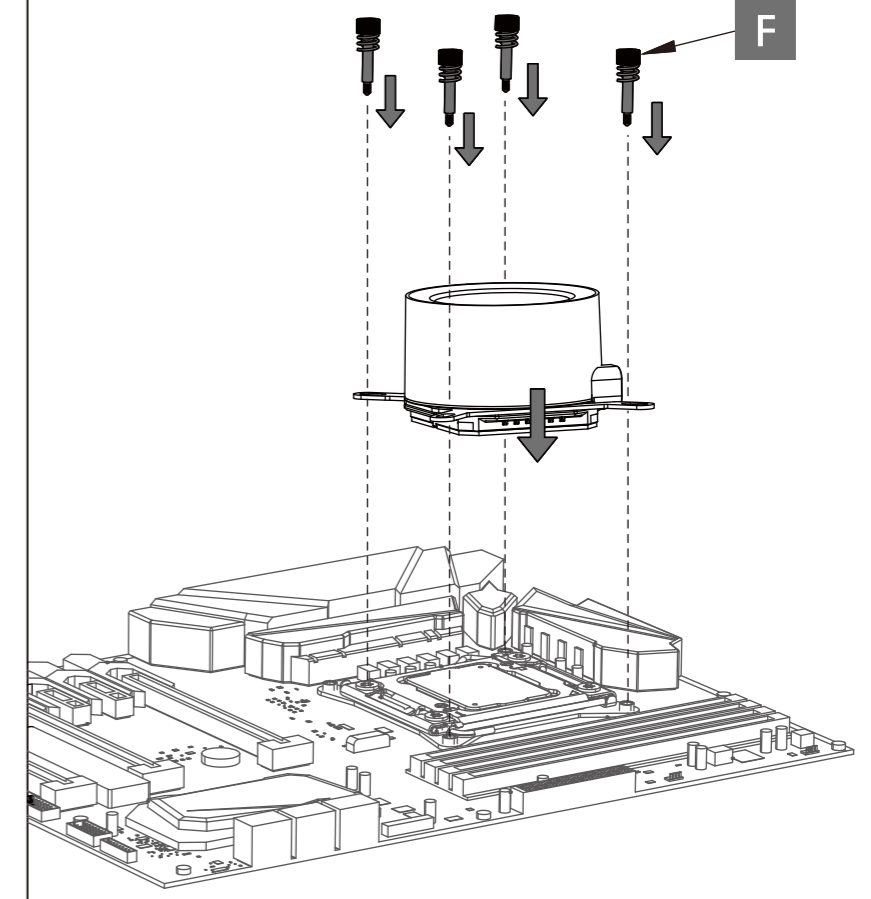
Step.1



Step.2



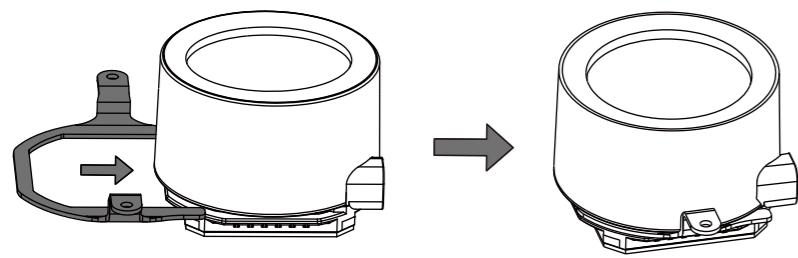
Step.3



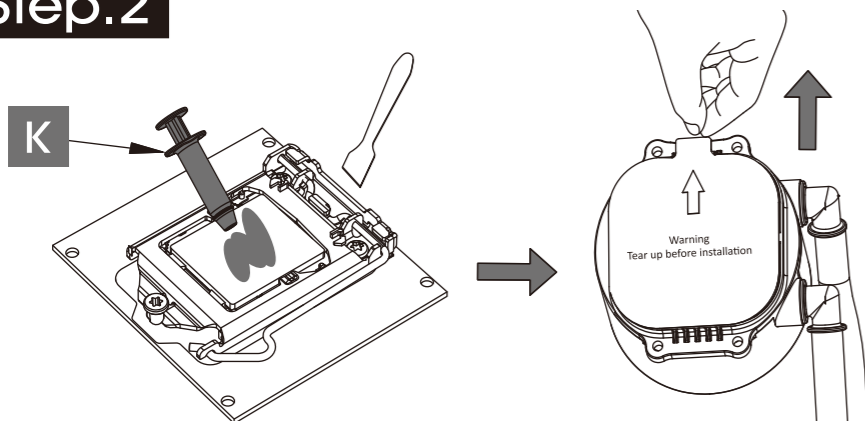
AMD Installation Guide

For AMD AM5/AM4/AM3

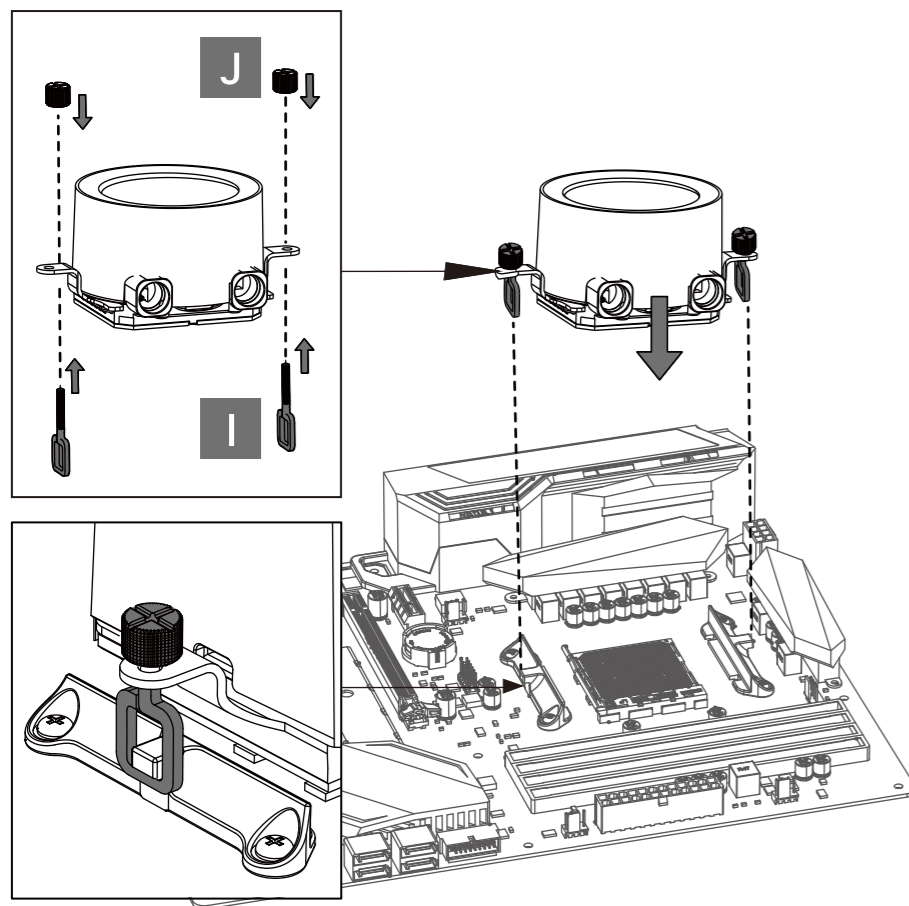
Step.1



Step.2

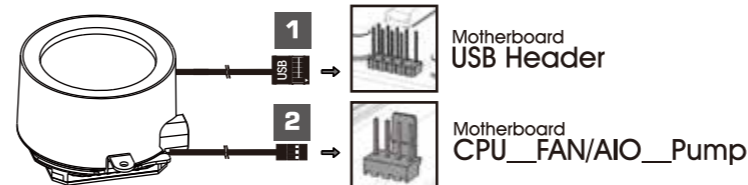


Step.3

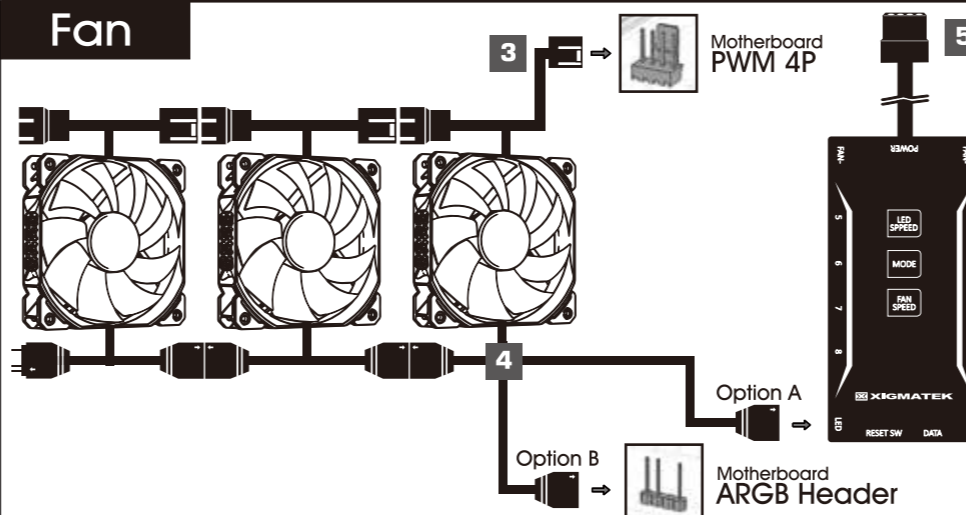


Cable & Connector Installation

Pump



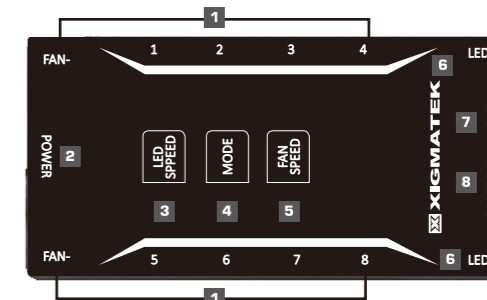
Fan



1. Pump Head to Motherboard USB Header
2. Pump to Motherboard CPU Fan Socket (Please Set BIOS CPU Fan Speed at Full Speed Mode)
3. Connect to Motherboard PWM 4P Socket
4. ARGB Fan to ARGB SYNC Motherboard or ARGB LED Control Box Included in the Box.
5. Control Box Power Cable to PSU

1. 水冷頭連接主機板USB接頭
2. 水冷幫浦連接主機板CPU孔(BIOS CPU Fan轉速請調整為全速模式)
3. 連接風扇頭到主機板PWM 4P插孔
4. ARGB風扇連接ARGB同步主板或內附的ARGB LED控制盒
5. ARGB控制盒供電線連接電源供應器

Galaxy II Fan Control Box



- | | |
|--|----------------------------|
| 1 Fan 1~8: 6Pin Port | 1 6Pin 孔位 |
| 2 Power: 4Pin Molex Power Connector (To PSU) | 2 大4P接頭 (連接電源供應器) |
| 3 LED SPEED | 3 燈光效果速度 |
| 4 MODE | 4 燈光效果模式選擇 |
| 5 FAN SPEED | 5 風扇轉速 |
| 6 LED: ARGB Port (Connect Other ARGB Accessories) | 6 ARGB孔位(可連接其它標準ARGB周邊零組件) |
| 7 DATA: ARGB Port (Connect to ARGB Motherboard) | 7 ARGB訊號線孔位(連接主機板) |
| 8 Reset SW: Connect to PC Case Reset Button To Change Color Mode | 8 連接機殼Reset按鈕,可切換燈效模式 |

ARGB Control Box Power Consumption :
Total 40W maximum
12V: Total 36W maximum

Caution: Please do not over power the controller box, it is dangerous and might cause damage!

CAUTION

1. Please check your PSU 5V & 12V power output specification, make sure PSU single 4pin molex connector can support sufficient power output to avoid PSU cable over heat and meltdown.
2. Please use at least 450W PSU and 18AWG thickness 4Pin Molex cable if connect more than 6 fans.
3. It will NOT work with 4 pin RGB or 12V RGB fans or light stripes.

ARGB控制盒功耗:

最高可支援 Total 40W

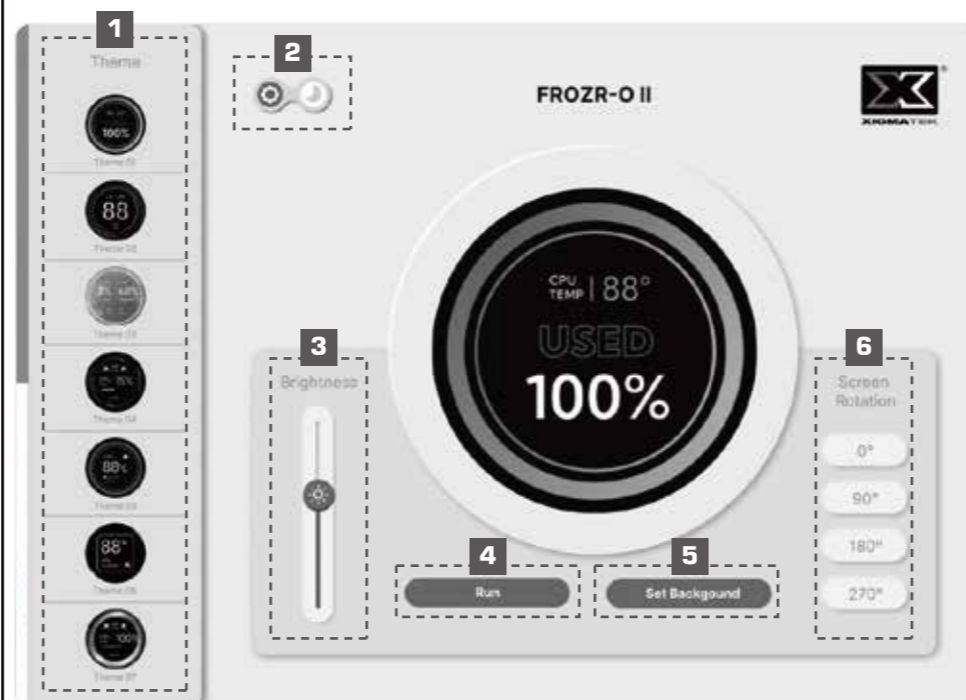
12V: 最高可支援 Total 36W

注意: 請勿超瓦使用ARGB控制盒, 這是非常危險且有可能造成損壞。

注意事項

1. 請注意您的電源供應器5V & 12V電流輸出的規格, 請確保電源供應器的大4P接頭可以支援足夠的電流輸出, 造成壓降導致線材過熱或融化。
2. 請選用最少450W的電源供應器, 如果連接超過6顆風扇時, 請確定大4P線材粗細符合18AWG的標準。
3. 此ARGB控制盒不支援4Pin RGB或12V RGB 風扇或燈條。

Smart Digital LCD Display Software

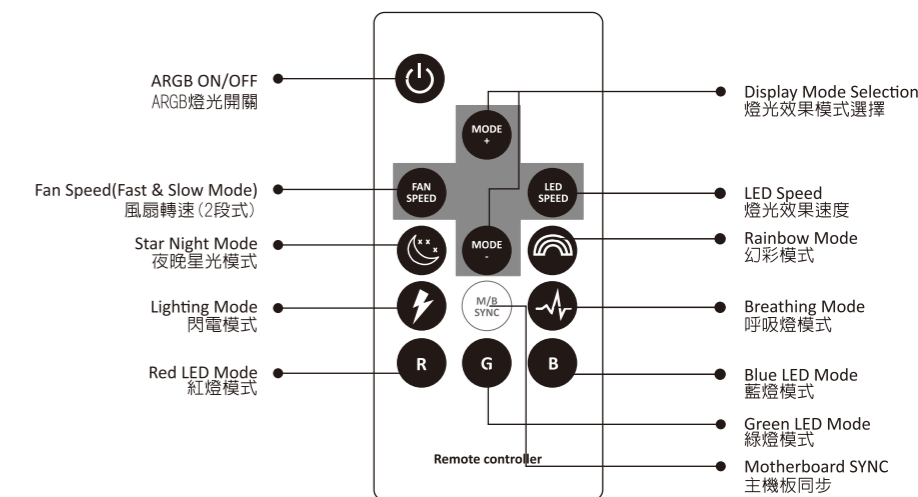


Software Download

QR CODE

- | | |
|--------------------------------|------------|
| 1. Theme | 1. 模式選擇 |
| 2. Dark / Light Mode Selection | 2. 深/淺模式選擇 |
| 3. Brightness | 3. 亮度調整 |
| 4. Run | 4. 運行 |
| 5. Set Background | 5. 背景更換 |
| 6. Screen Rotation | 6. 角度選擇 |

ARGB Remote Controller



CAUTION 注意事項

To Sync with the ARGB motherboard, press M/B SYNC button after connecting the fans and ARGB cable to motherboard ARGB header.

當ARGB風扇及ARGB水冷頭LED連接ARGB控制盒後, 主機板同步按鈕可切換主機板主控或ARGB控制盒主控模式